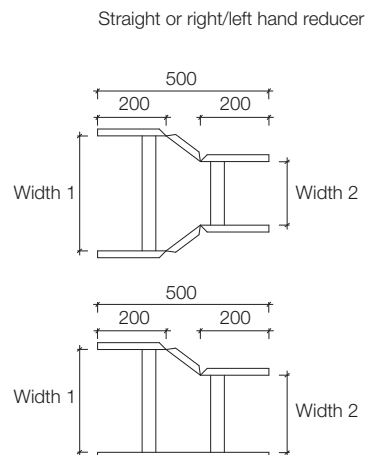
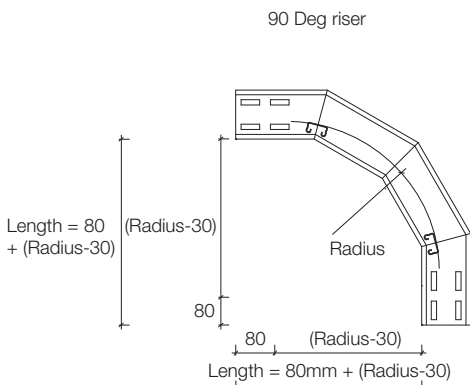
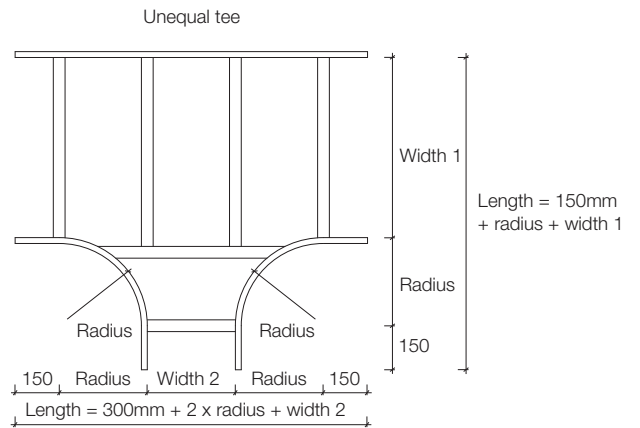
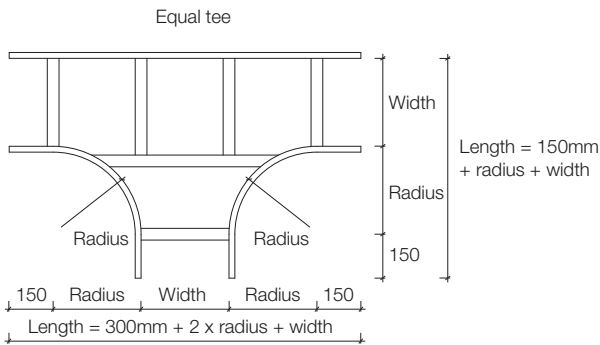
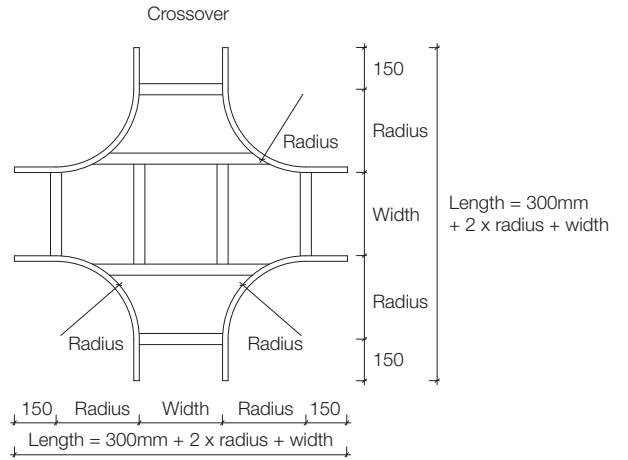
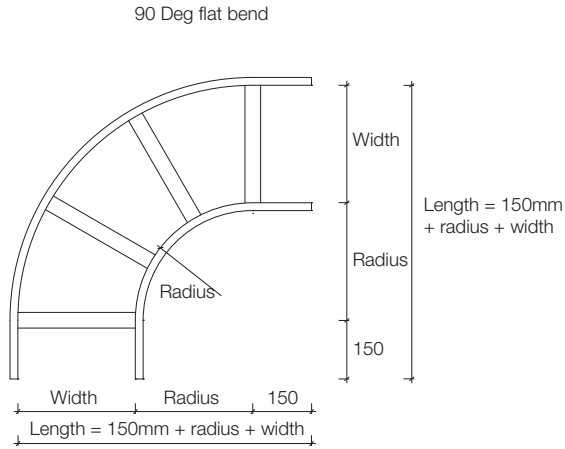


# Cable ladder systems

## Accessory footprint

Cable ladder — accessory foot print  
standard radius is 300mm



Footprints are identical for all ranges