

Cable ladder systems

System configuration and support

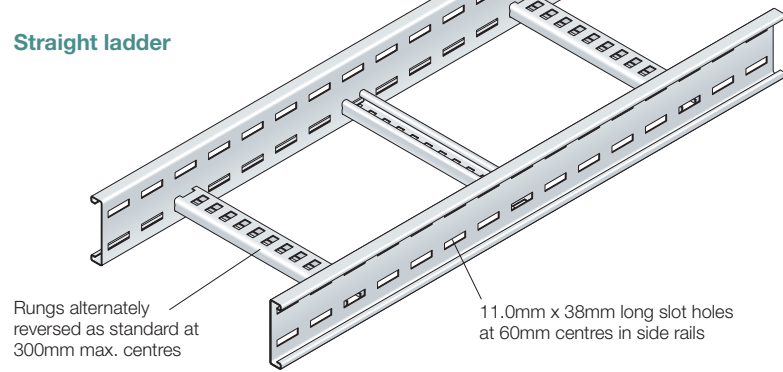
Metstrut cable ladders are designed as a complete system with simple accessories for ease of installation. Splice plates are supplied complete with M10 cup square bolts, shake proof washers, and nuts with a high tolerance fit for optimum structural performance.

When installing Metstrut cable ladders, care should be taken to ensure the support is within 600mm of a joint. Accessories (e.g. bends, tees, crossovers etc.) should have adequate support with additional supports for larger components.

Technical construction details

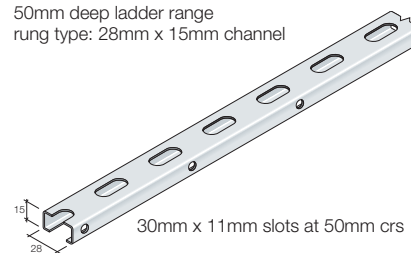
Whilst rungs are alternately reversed as standard, other rung orientations can be produced to order. Additionally alternative widths are also available to meet the requirements of the European markets.

Straight ladder

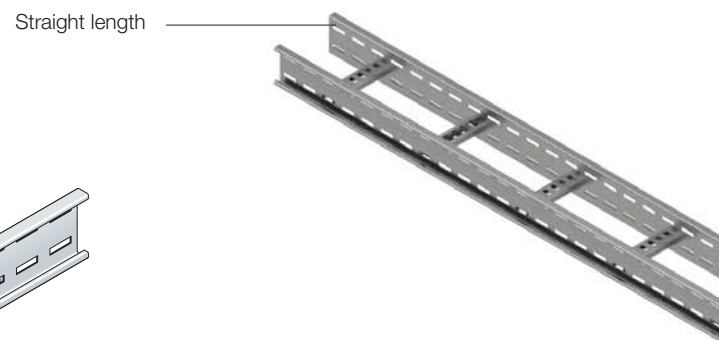
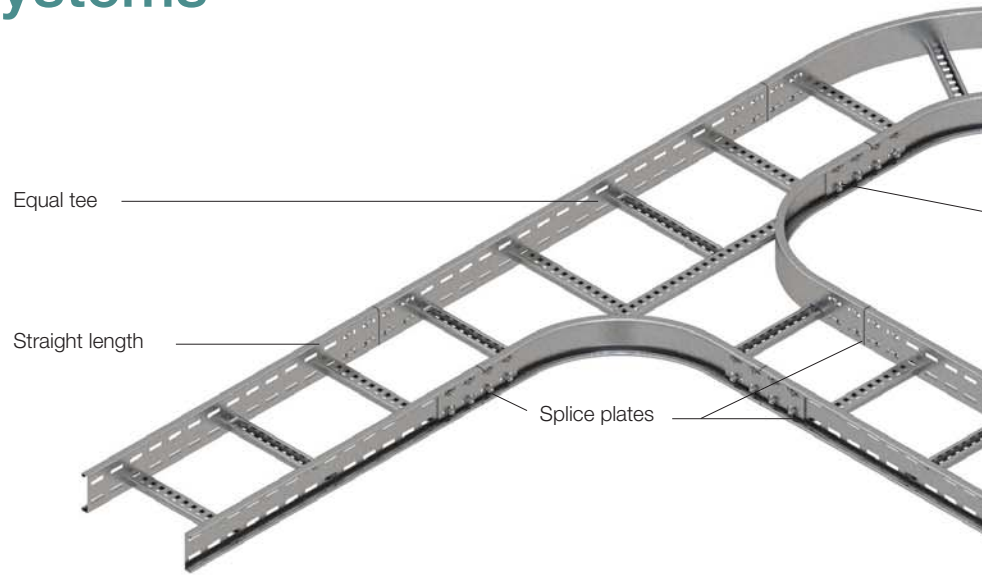
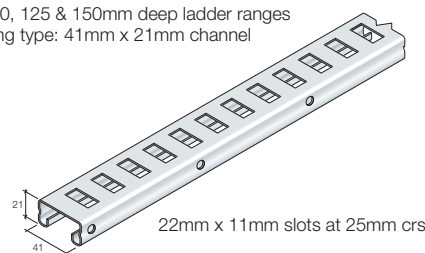


Rung types

50mm deep ladder range
rung type: 28mm x 15mm channel



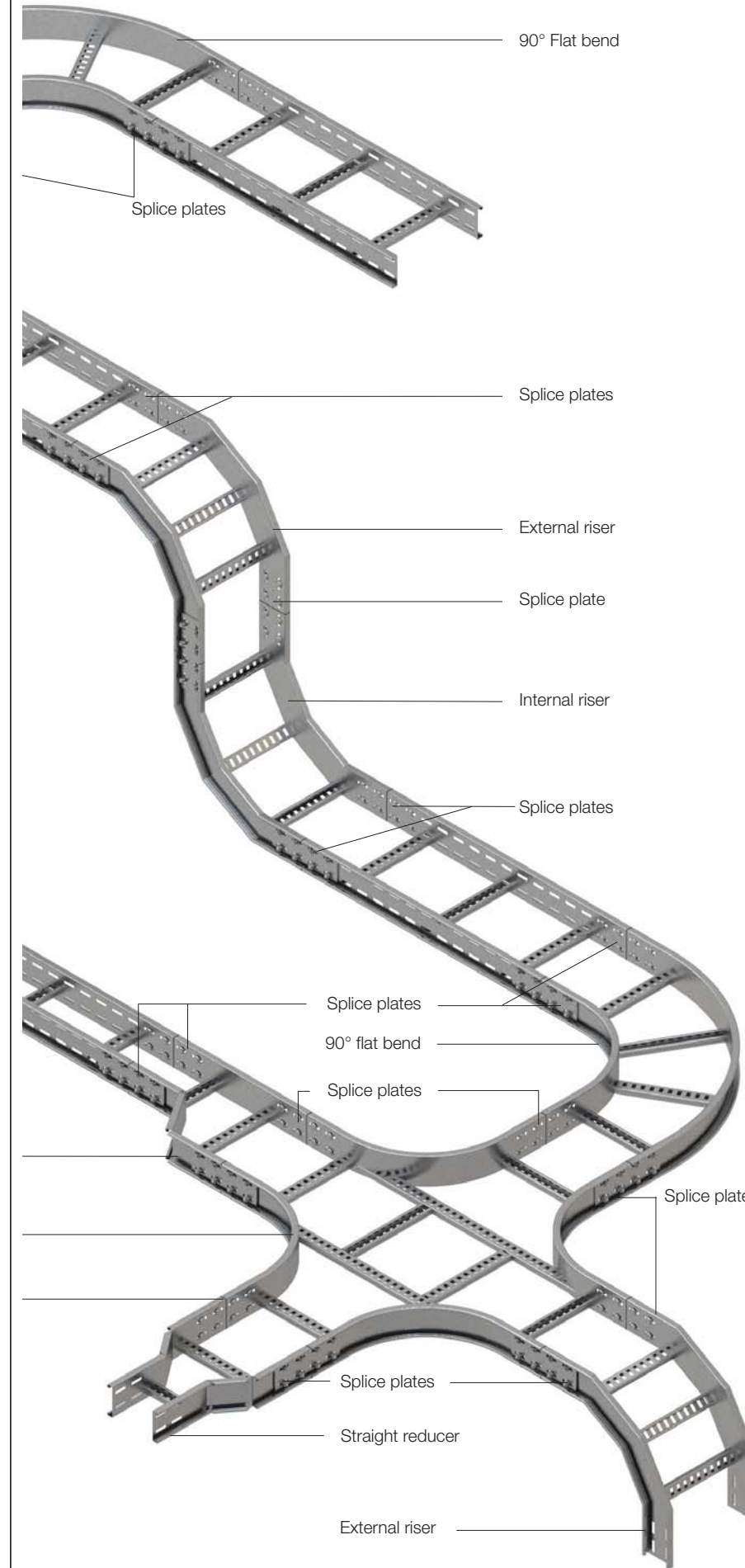
100, 125 & 150mm deep ladder ranges
rung type: 41mm x 21mm channel



Left hand reducer

Crossover

Splice plate



Materials and finishes

Materials and finishes available are mild steel hot dip galvanised after manufacture as standard and stainless steel grade 316 to order.

Mild steel hot dip galvanised: manufactured from steel complying with BS EN 10025-2:2004 and hot dip galvanised after manufacture to BS EN 1461:1999.

Stainless steel: manufactured from stainless steel grade 316L complying with BS EN 10088-2:2005 (pickling and passivating on request).

Ladder profiles

